

PROJECTOR LIFT Series

GPCK Series

Recessed-Ceiling Motorized Projector Lift

Perfect Recessed & Easy Operation

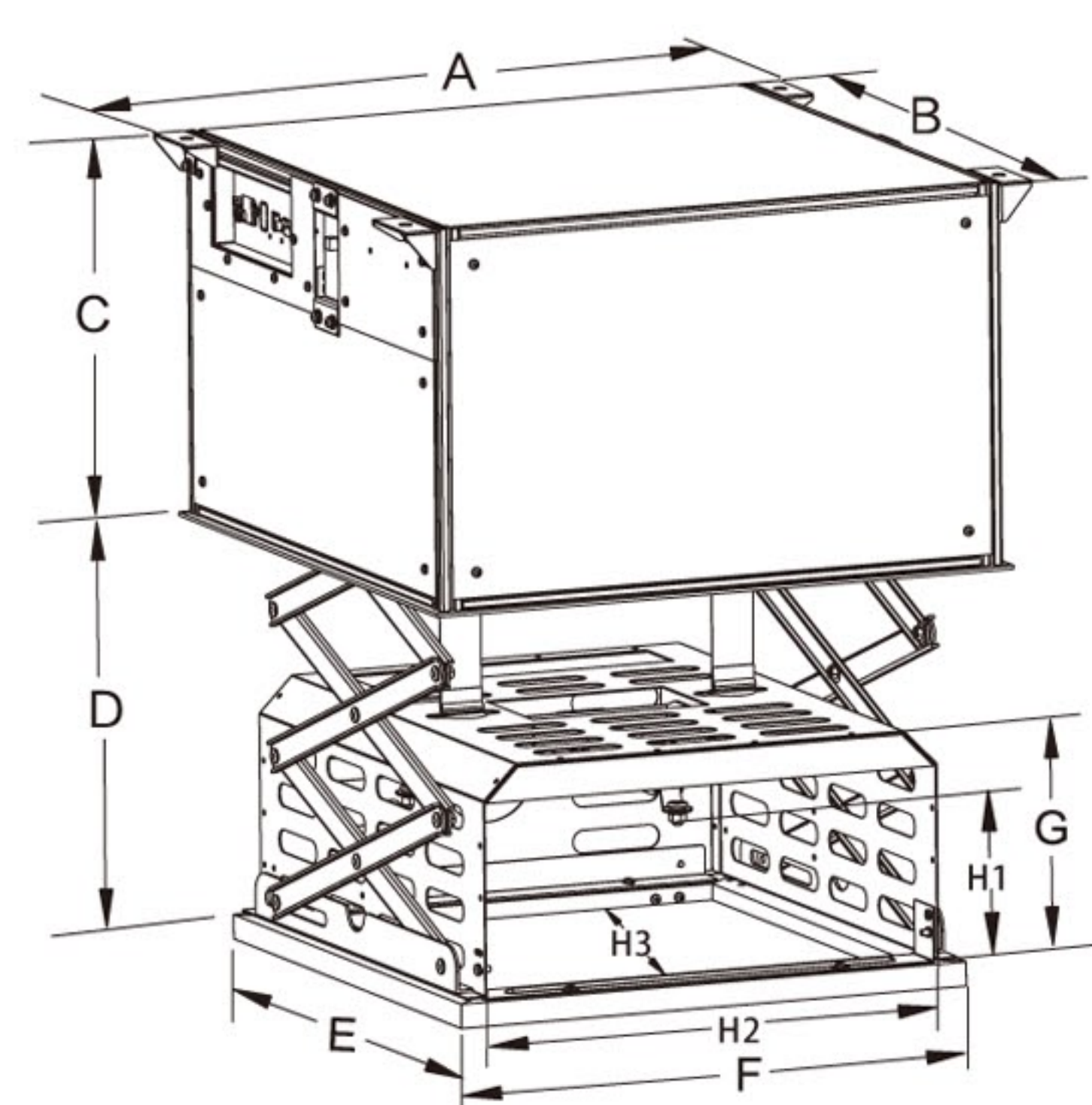
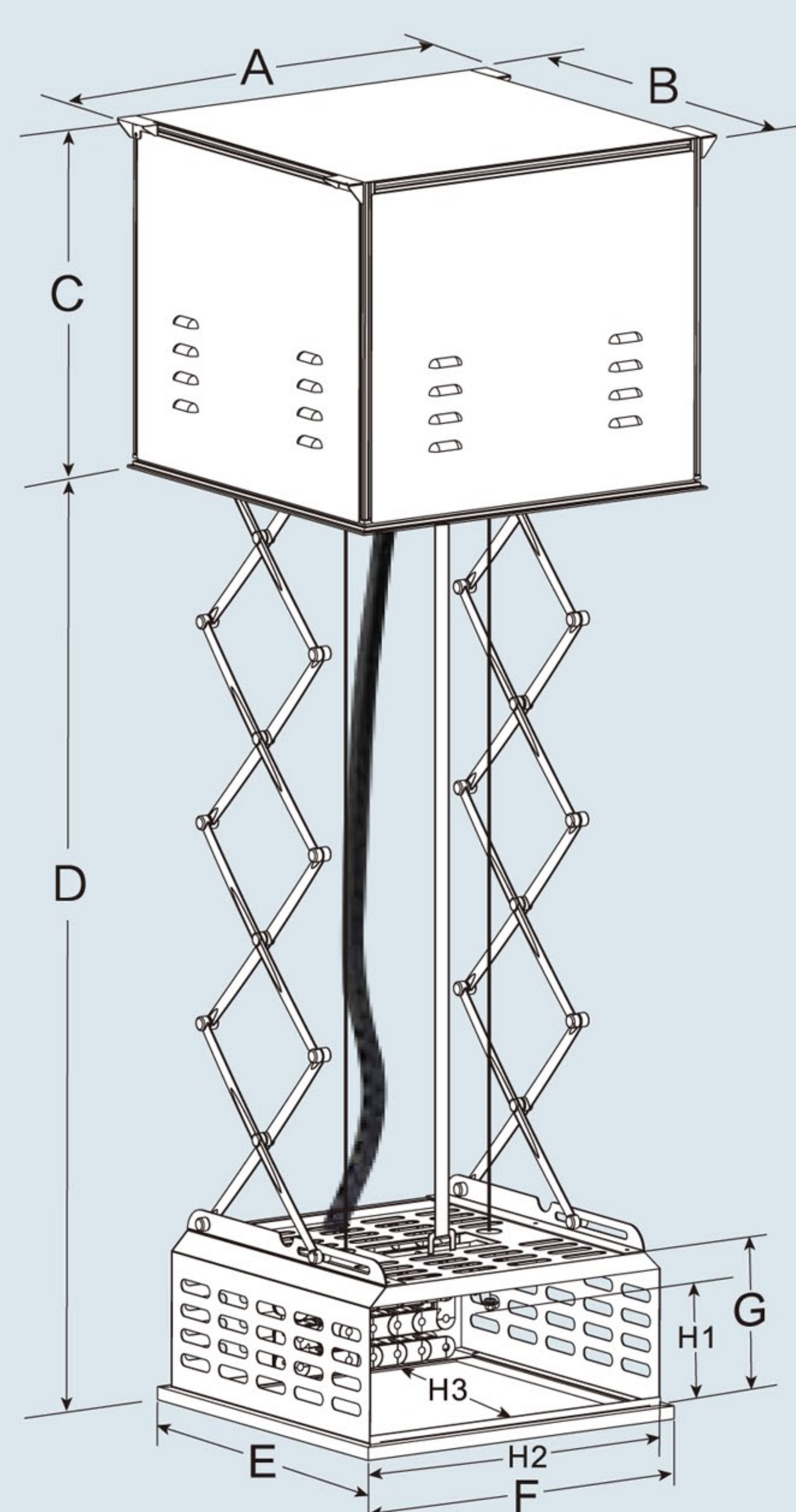
With engineering aesthetics design, GPCK Recessed-Ceiling Motorized Projector Lift can integrating into indoor decoration perfectly.

GPCK-MA Series

Recessed Ceiling
Motorized Projector Lift (Sealed in)

GPCK-MA1600
GPCK-MA1600L
GPCK-MA2700
GPCK-MA2700L
GPCK-MA4600L

- Maximum Weight Capacity: 15Kg
- Power: 170W
- Voltage: 220V/50Hz
- Wireless FM: 868MHz



GPCK-MB(B) Series

Small Recessed-Ceiling Series
Motorized Projector Lift

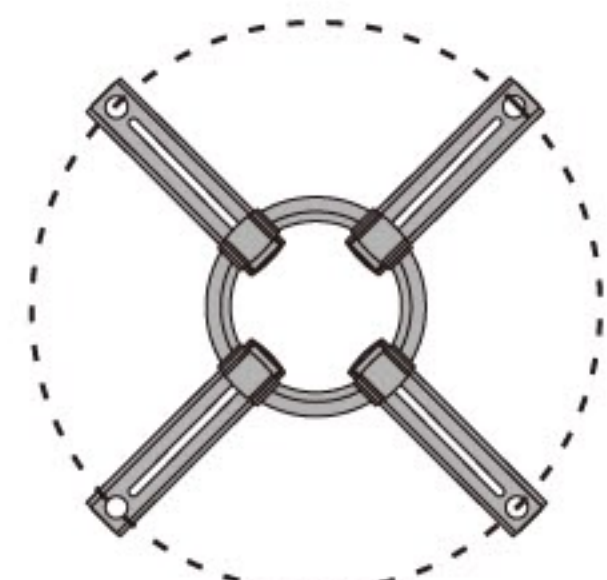
GPCK-MB1000B

- *Double Positioning
- *Automatic Balancing Mechanism
- *High-Strength Aluminum Linkage
- *Completed Protection
- *Ornament Baffle
- *Cable Management
- *Varied Control
- *Maximum Weight Capacity: 12kg

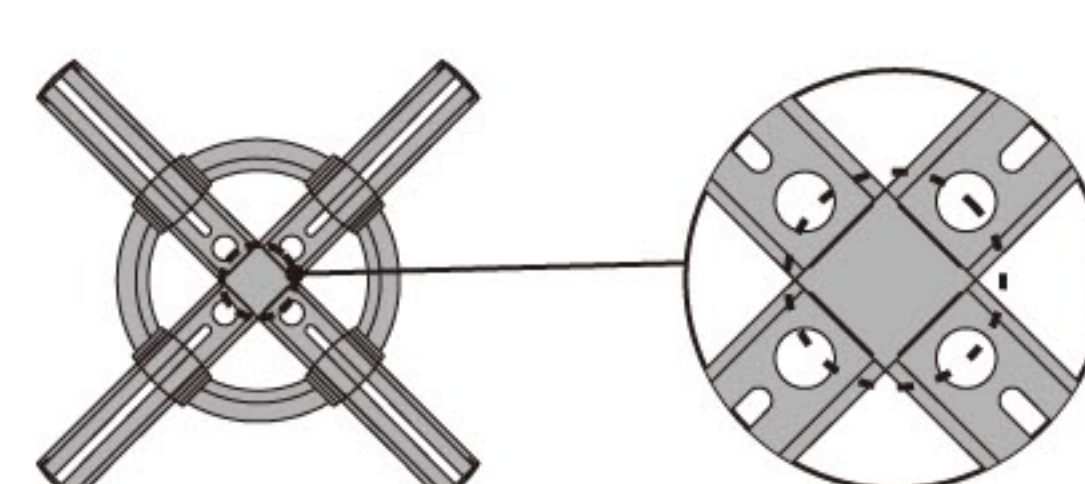
Scope for installation (Installation hole of projector)



Installation bracket



Maximum diameter: 345mm

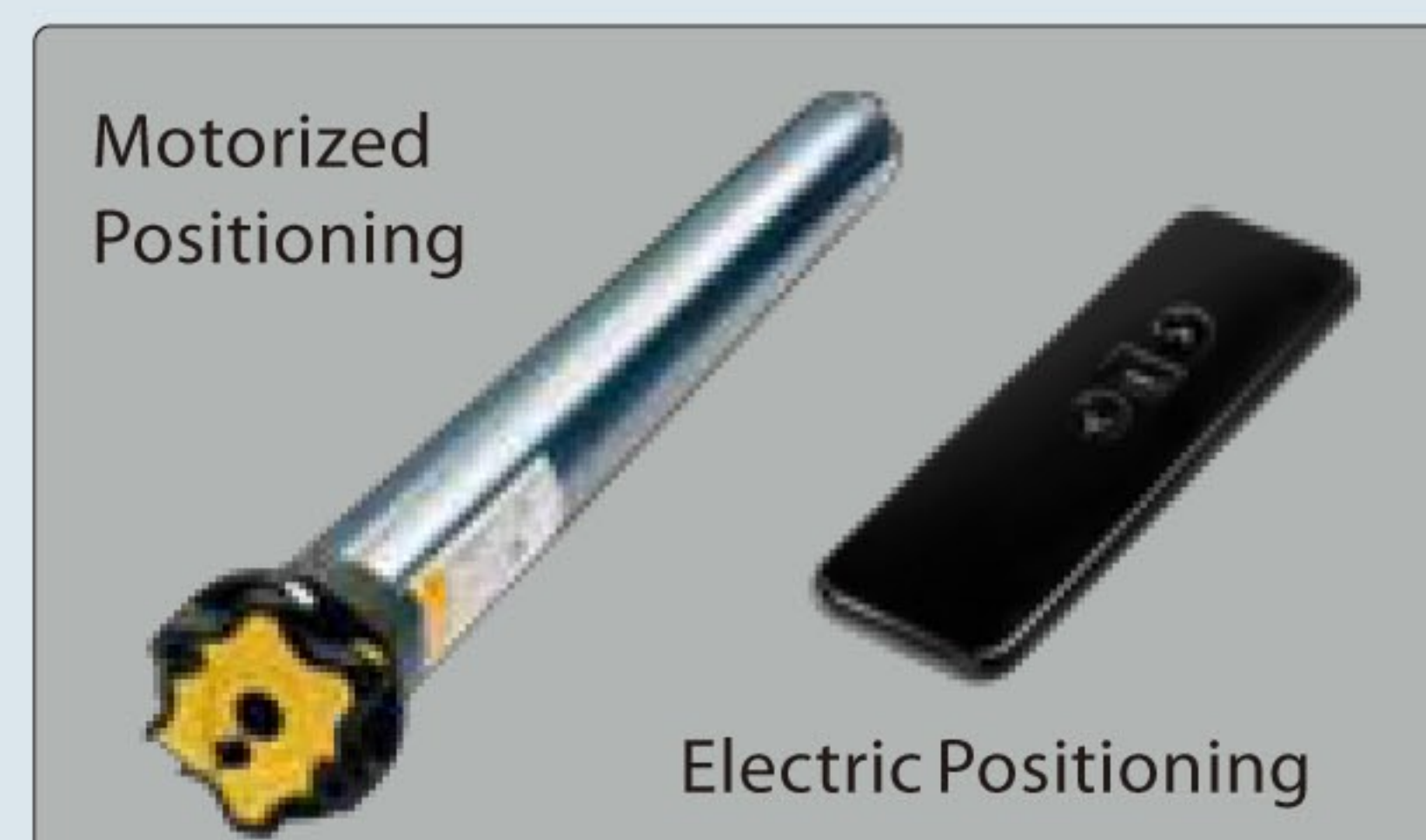


Minimum diameter: 45mm

Note: Connect the installation arms to the projector conversely for different installation holes of projectors.

1 Dual Positioning System

Dual Positioning System provides safety and convenience to users. The safety positioning of motor is set by factory, and the height of stopping can be adjusted automatically by electric positioning.



2 Automatic Balancing Mechanism

Automatic Balancing Mechanism ensures the dragline and suspending cage vertically when extending or retracting, avoid any digression or noise caused by the slant of the dragline.



3 Brake Mechanism

The Brake Mechanism is designed when the dragline is broken, the motor brake is out of control or the steel cable loose accidentally, the safety device will operate automatically and prevent the falling of case and improve the security in high-ceiling condition.



4 High-Strength Aluminum Linkage

High-Strength Aluminum Linkage is die-casing and with excellent texture, high-strength and rustproof, very light and it can reduce the lift-weight and keep the balance.



5 Complete Protection

Complete Protection prevents the projection equipment against the impact of external environment and avoid the leakage of the cool air.



6 Ornament Baffle

Ornament Baffle matches perfectly with different types of ceiling, when extending the case, it may completely cover the hatch that occurs.



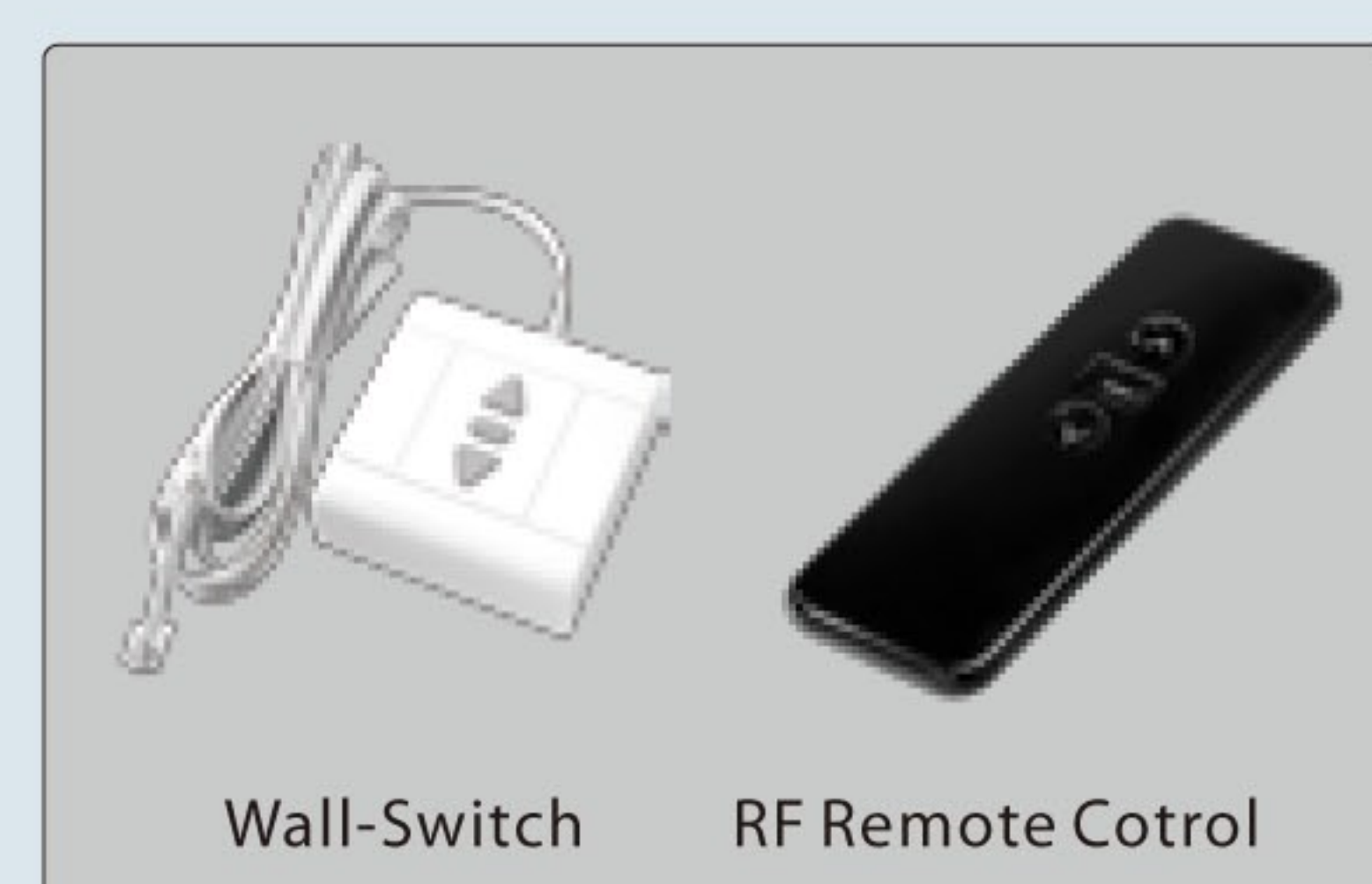
7 Cable Management

Cable Management which is allocated for the users to put power cord, VGA, RGB or HDMI cables inside, easily bend and stretch customized size are available.



8 Multi-Control Systems

Multi-Control Systems are available (RF Remote Control, RS232/485, Wall-Switch)



GPCK series specification

Model	Dimension							Suitable projector sizes		
	A	B	C	D	E	F	G	H1	H2	H3
GPCK-MA1600	704	670	600	0~1600	586	586	250	180	530	470
GPCK-MA1600L	704	770	600	0~1600	686	586	270	200	530	570
GPCK-MA2700	704	670	685	0~2700	586	586	250	180	530	470
GPCK-MA2700L	704	770	685	0~2700	686	586	270	200	530	570
GPCK-MA4600L	744	744	800	0~4600	686	686	270	200	630	570
GPCK-MB1000B	600	550	345	0~1000	483	483	200	147	400	400

Standard Accessories

- * FM wireless transmitter
- * Built-in VGA, Video wire

